

Miniature Overhead Door Switch Set

WWW.GRISK.COM



4532 / 4532 L Series



- ◆ Low cost
- ◆ Miniature floor mount
- ◆ Universal magnet for mounting flexibility
 - ◆ Cast aluminum casing for harsh environments
 - ◆ 24" armored cable standard
- ◆ Longer leads available upon request
 - ◆ Mounting hardware included
 - ◆ Optional "L" bracket
 - ◆ For loose overheads
 - ◆ Hermetically sealed
- ◆ Plated contacts resist sticking or freezing
 - ◆ Built-in E.O.L. Resistors and Diodes upon request
- ◆ Switches and magnets available separately
 - ◆ Lifetime Warranty



Part Numbers

	<u>Closed Loop</u>	<u>Open Loop</u>	<u>SPDT</u>	<u>DPDT</u>
Gap up to 2 1/2"	4532	4532B	4532C	4532D-36
Gap up to 2 1/2"	4532L	4532LB	4532CL	4532DL-36

GEORGE RISK INDUSTRIES, INC.
G.R.I. PLAZA
KIMBALL, NE 69145
WWW.GRISK.COM



Made in U.S.A.

TOLL-FREE 1-800-445-5218
TOLL-FREE 1-800-523-1227
(308) 235-4645
FAX (308) 235-3561
E-MAIL: sales@grisk.com

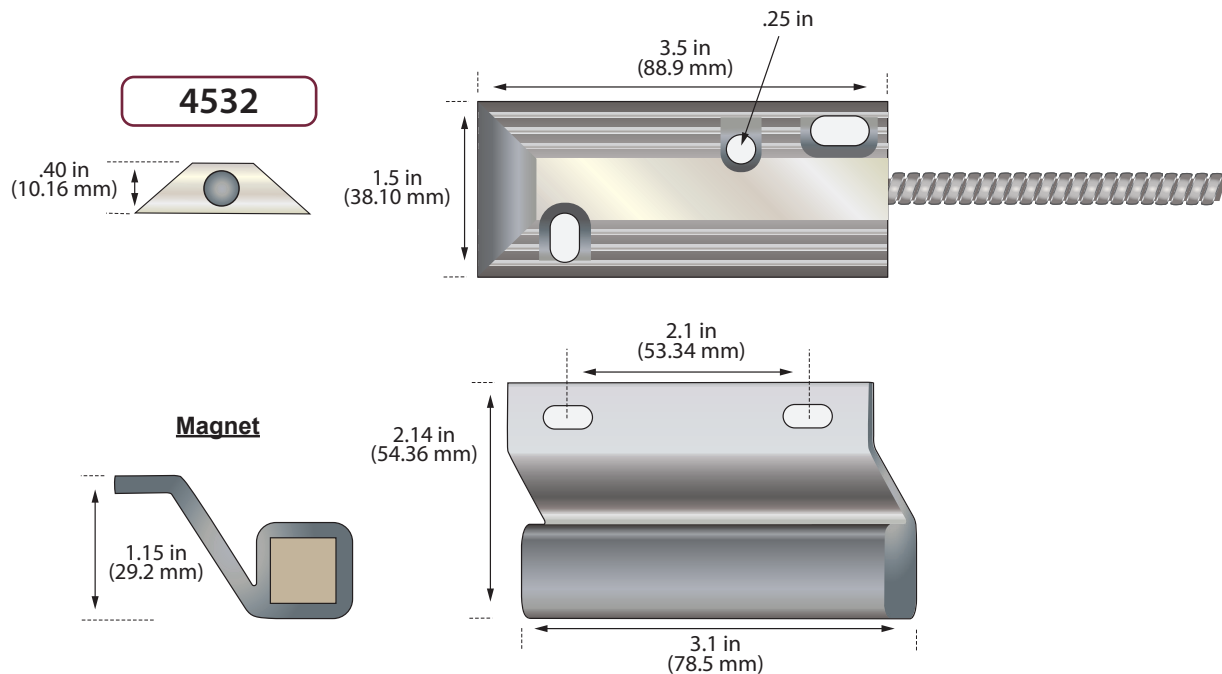
Miniature Overhead Door Switch Set

WWW.GRISK.COM



INSTALLATION APPLICATIONS

The 4532 is a miniature, low-profile reed switch in cast aluminum for durability in harsh environments. The 4532 features a wide working gap of up to 3" with two feet of heavy-duty armored cable for protection from the elements and a versatile universal magnet which can be mounted at various angles for those difficult installations. The 4532 is also available with an optional "L" bracket. Order part number 4532L for this option. The 4532 is shipped as a set but can be packaged separately. A 1/4" masonry bit is required for lead anchor installation.



GRI PRODUCTS MEET OR EXCEED THESE MINIMUM GENERAL SPECIFICATIONS:

Part Number	Loop Type	Electrical Configuration	Reed Form	Max. Initial Contact Resistance	Max. Contact Rating (W)	Max. Switching Voltage (VDC)	Max. Switching Current (IA)
4532	Closed	N/O	A	.150	10	200	.500
4532L	Closed	N/O	A	.150	10	200	.500
4532B	Open	N/C	B	.140	5	175	.250
4532LB	Open	N/C	B	.140	5	175	.250
4532C	Open/Closed	SPDT	C	.140	5	175	.250
45432CL	Open/Closed	SPDT	C	.140	5	175	.250
4532D		DPDT	CX2	.140	5	175	.250
4532DL-36		DPDT	CX2	.140	5	175	.250

WARRANTY: Lifetime warranty against workmanship, material and factory defects.

GEORGE RISK INDUSTRIES, INC.
G.R.I. PLAZA
KIMBALL, NE 69145
WWW.GRISK.COM



TOLL-FREE 1-800-445-5218
TOLL-FREE 1-800-523-1227
(308) 235-4645
FAX (308) 235-3561
E-MAIL: sales@grisk.com